

Model Number:

Type:

Job:

Approvals:

STANDARD FEATURES

- Easy to install, snap together design
- Ultra-compact, low-profile design
- Long life, high output red or green LEDs
- Injection-molded UL94 V-0 flame retardant, high-impact thermoplastic housing
- Molded wireways for internal wire routing and connections
- Universal J-Box mounting pattern
- Completely self-contained
- LED lamp life of 25+ years
- Universal mount, canopy included
- Replaceable chevron arrows
- Available in white or black finishes
- 120/277/VAC dual voltage input
- Overload/short circuit protected
- Voltage surge protected

BATTERY BACK-UP

- Regulated circuit maintains constant light output throughout emergency mode
- Emergency power pack mounts inside exit housing
- Solid state, constant current type charger
- Brown-out protection

DAMP LOCATION RATING

- Supplied standard with Illuminex Series

CONFORMANCE TO CODES & STANDARDS

ETL listed. Meets UL 924, NFPA 101 (Life Safety Code) NEC, and OSHA. Meets state of Minnesota energy-efficient legislation requiring less than 20 watts of power consumption.

WARRANTY

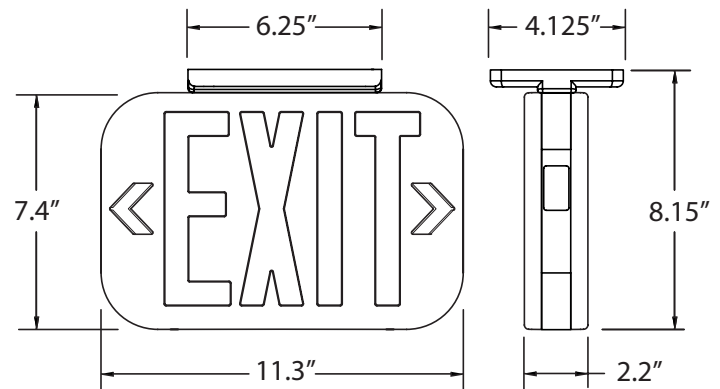
Any component that fails due to manufacturer's defect is guaranteed for 1 year from time of shipment. Warranty does not apply to damages caused by improper installation, abuse, fire or acts of God.



ILX-R-EM-WH

The Illuminex Series LED Exit Sign combines an attractive, easy-to-install compact contemporary design with proven, ultra-reliable electronics to provide the very best in energy efficient emergency lighting. ILX units are completely self-contained, and feature universal mounting, canopy included.

DIMENSIONS



SPECIFICATIONS ARE SUBJECT
TO CHANGE WITHOUT NOTICE

CONSTRUCTION

Precision molded housing, backplate and mounting canopy constructed of impact-resistant, flame-retardant, UV stable thermoplastic resists denting, peeling, scratching and corrosion with NFPA approved field selectable chevrons. Available in white and black finishes.

ILLUMINATION

Fully illuminated 6" letters with 3/4" stroke is achieved with high output, long lasting red or green Light Emitting Diodes (LEDs). An exclusive color-matched diffuser eliminates hot spots and striations, providing optimal light output. LEDs and electronics have an expected service life of 25 years.

INSTALLATION

Simple snap together universal design allows for faceplate and backplate to be fully interchangeable. Mounting canopy is supplied with all signs and snaps into enclosure with positive locking tab.

ELECTRONICS

120/277 VAC dual voltage input with surge protected, solid state circuitry.

BATTERY

Maintenance-free, sealed Nickel Cadmium Battery provides an estimated service life of 12 years with an operating temperature range of 20°F (-7°C) to 95°F (35°C).

EMERGENCY OPERATION

Solid state charging circuit with constant current charge and transfer design. Circuit is brown-out protected and provides a minimum of 90 minutes of emergency run time and recharge time of 12 hours. Push to test switch and an LED AC indicator provides simple means for manual test.

SELF-TESTING /

SELF-DIAGNOSTIC OPERATION (Option: G2)

The circuit continuously monitors the operating condition of the AC power, battery supply voltage, emergency lamp continuity and charging circuit.

If a failure is detected, visual status will occur immediately via the bi-colored LED. LED indicator will illuminate until fault has been corrected.

The G2 also monitors the transfer circuit as well as performing automatic code compliant testing. The self-test will operate the equipment in emergency mode five minutes every 28 days. Also, a 90 minute full-function test is performed every six months.

ORDERING INFORMATION:

SERIES	LED COLOR	POWER SOURCE	ENCLOSURE COLOR	OPTIONS
ILX	R = Red G = Green	AC = AC Only EM = NiCad Battery Backup	WH = White BL = Black	G2 = Self Test/Self Diagnostics 2CI = Two Circuit Input (120/277V)

YOUR LOCAL REPRESENTATIVE IS:

EXITRONIX™

A DIVISION OF THE

BARRON LIGHTING GROUP

1911 W. Parkside Lane • Phoenix, AZ 85027

(800) 533-3948 • Fax: (623) 580-8948

www.exitronix.com • www.barronltg.com