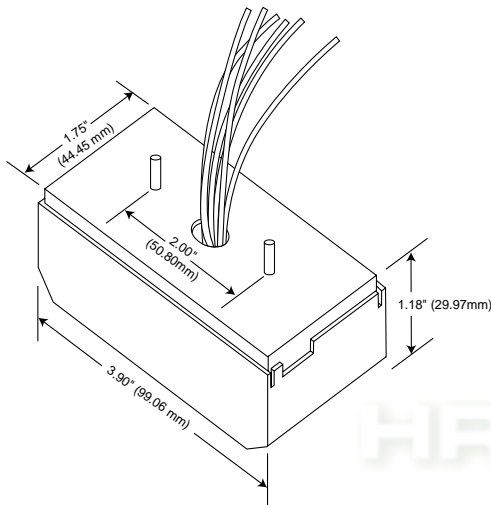
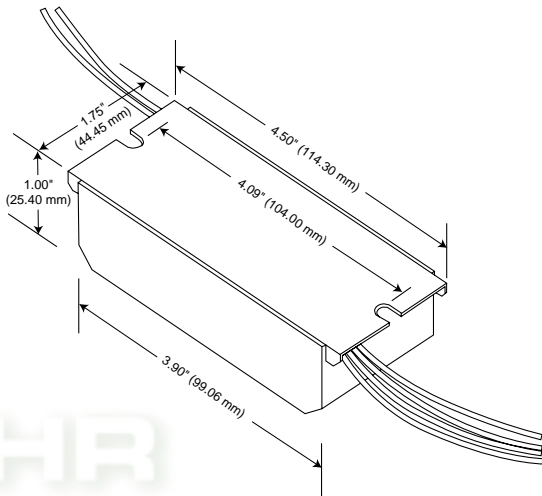


HATCH

10 TO 42 WATT "HR" SERIES 1-LAMP COMPACT FLUORESCENT BALLAST




Side Lead
and Bottom Feed
Models



Compact Fluorescent Hardwire Ballast Features:

- Auto Restart After Hot Relamp
- Deactive Lamp Protection Circuit
- Flicker Free Operation
- High Power Factor
- Low THD
- 100% Factory Tested
- High Reliability
- No Audible Noise
- True Preheat Starting
- No Starting Aid Required
- Energy Efficient
- High Frequency Operation
- Solid State
- Moisture and Shock Resistant
- No PCBs
- Bottom Feed Models Available

Environmental Specifications


Maximum Case Temperature	70°C at "T" point
Minimum Starting Temperature	-25°C
Sound Rating	A+
Operating Humidity	95% relative humidity, non-condensating
Environmental Protection	Epoxy Sealed for moisture resistance and shock vibration resistance
Safety Listing	 Class P Type 1 outdoor

Electrical/Mechanical Specifications

Input Voltage	120V 50/60 Hz
.....	230V 50 Hz (special order)
.....	277V 60 Hz
Color	White
Weight	HR-6.0 oz./ HR-BF-7.0 oz.
Operating Frequency	50 KHz +
Power Factor	≥ 0.99
Total Harmonic Distortion	5-13% depending
.....	on lamp/ballast combination
Deactive Lamp Protection	Yes
Auto Restart After Hot Relamp	Yes
Current Crest Factor	≤ 1.7
Open Circuit Protected	Yes
RFI Suppression	Yes
Input Leads	10 ⁵ / ₈ " 18 AWG solid 105 degree C stripped ³ / ₈ "
Output Leads	10 ⁵ / ₈ " 18 AWG solid 105 degree C stripped ³ / ₈ "

Meets ANSI 15 C62.41, ANSI C82.1 CLASS P

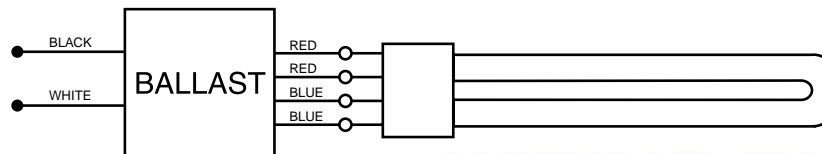
Built with two threaded studs, 2" on center and bottom center feed wiring, for easily replacing magnetic ballasts.

Safety Agency  US LISTED
.....*HR 4200 Models Does Not Have UL

HATCH

1-LAMP HR & HR-BF 10 TO 42 WATT

Watts	GE2D	GE BIAx	OSRAM	PHILIPS	No. Lamps	Input Volts	Input Amps	Case Style	Hatch Item Number
10	F10/2D/4P	F10DBX	CF10DD/E DULUX D/E 10		1	120	0.11	HR HR-BF	HR1000 HR1000 BF
						230	0.06	HR	HR1000-230
						277	0.05	HR HR-BF	HR1000-277 HR1000-277 BF
13		F13DBX F13TBX	CF13DD/E DULUX D/E 13	PL-C 13W/4P	1	120	0.13	HR HR-BF	HR1300 HR1300 BF
						230	0.07	HR	HR1300-230
						277	0.06	HR HR-BF	HR1300-277 HR1300-277 BF
18	F16/2D/4P	F18DBX F18TBX	CF18DD/E CF18DT/E/IN DULUX D/E 18 DULUX T/E/IN18	PL-C 18W/4P PL-T 18W/4P	1	120	0.15	HR HR-BF	HR1800 HR1800 BF
						230	0.08	HR	HR1800-230
						277	0.07	HR HR-BF	HR1800-277 HR1800-277 BF
21	F21/2D/4P				1	120	0.17	HR HR-BF	HR2100 HR2100 BF
						230	0.10	HR	HR2100-230
						277	0.08	HR HR-BF	HR2100-277 HR2100-277 BF
26	F28/2D/4P	F26DBX F26TBX	CF26DD/E CF26DT/E/IN DULUX D/E 26 DULUX T/E/IN 26	PL-C 26W/4P PL-T 26W/4P	1	120	0.21	HR HR-BF	HR2600 HR2600 BF
						230	0.11	HR	HR2600-230
						277	0.10	HR HR-BF	HR2600-277 HR2600-277 BF
32		F32TBX	CF32DT/E/IN DULUX T/E/IN 32	PL-T 32W/4P	1	120	0.26	HR HR-BF	HR3200 HR3200 BF
						230	0.14	HR	HR3200-230
						277	0.12	HR HR-BF	HR3200-277 HR3200-277 BF
38	F38/2D/4P				1	120	0.31	HR HR-BF	HR3800 HR3800 BF
						230	0.16	HR	HR3800-230
						277	0.14	HR HR-BF	HR3800-277 HR3800-277 BF
42		F42TBX F42QBX	CF42DT/E/IN DULUX T/E/IN 42	PL-T 42W/4P	1	120	0.36	HR HR-BF	HR4200 HR4200BF
						230	0.19	HR	HR4200-230
						277	0.17	HR HR-BF	HR4200-277 HR4200-277BF



WIRING DIAGRAM